

## Professional Electric Insect Control

Please read these instructions carefully and store in a safe place for future reference.

### EXCALIBUR COMMERCIAL AQUA<sup>™</sup>

As part of the *Insect-O-Cutor<sup>®</sup>* brand of insect control products, *Excalibur Commercial Aqua<sup>™</sup>* is an effective and flexible professional flykiller which utilises highly effective UV tubes. Constructed from stainless steel and UV stable polycarbonate, *Excalibur Commercial Aqua<sup>™</sup>* is designed for damp and humid applications where splashing is likely, and can be wall mounted, ceiling suspended or desk mounted.

#### Contents of package

- 1 x *Excalibur Commercial Aqua<sup>™</sup>* flykiller
- 1 x Stripped mains cable (Type Z)
- 2 x High powered Shatterproof UV tubes (Fitted)
- 2 x Screws, wall plugs and suspension keyrings

WARNING - THIS APPLIANCE MUST BE EARTHED (CLASS 1)

### INSECT CONTROL PRODUCTS

*Excalibur Commercial Aqua<sup>™</sup>* utilises high powered ultra violet tubes to attract flying insects and then electrocutes them on a killing grid, before collecting them in a removable catch tray.

#### WARNING

*Excalibur Commercial Aqua<sup>™</sup>* is IPX4 rated and is designed for use in applications appropriate to this ingress protection rating.

*Excalibur Commercial Aqua<sup>™</sup>* is not to be used by persons with reduced physical, sensory or mental capabilities, or lack of experience and training, unless they have been given instruction.

Children should be supervised to ensure they do not play with the appliance.

*Excalibur Commercial Aqua<sup>™</sup>* must only be used in areas which are free of dust and any possible explosive vapour mixture, is suitable for indoor use only and is not suitable for use in barns, stables and similar locations.

### POSITIONING AND GUIDANCE FOR USE

*Excalibur Commercial Aqua<sup>™</sup>* should ideally be fixed around two meters above the ground, preferably in the darkest place within the area to be protected. Do not position the unit close to windows, skylights or other sources of light, or where it may be obscured by furniture, doors or other obstacles.

*Excalibur Commercial Aqua<sup>™</sup>* should ideally be in operation for 24 hours a day, ensuring your premises are kept free of flying insects. Insects are most attracted to *Excalibur Commercial Aqua<sup>™</sup>* units at night when there is no competition from daylight or other light sources.

#### GUARANTEE

*Excalibur Commercial Aqua<sup>™</sup>* has a three year guarantee and if maintained as recommended in these instructions should continue to work for many years.\* Use of non-approved consumables may invalidate the guarantee.

\*Excludes tubes and starters. Does not cover breakdown due to misuse, incorrect operation or use in an incorrect application.

### INSTALLATION

INSTALLATION SHOULD BE CARRIED OUT BY SERVICE PERSONNEL ONLY.

**REMOVE THE CABLE TIES THAT SECURE THE KILLING GRID IN POSITION BEFORE SWITCHING THE UNIT ON.**

*Excalibur Commercial Aqua<sup>™</sup>* should be mounted as shown in the mounting options section of this document. Keep out of reach of children. Use the stripped, fixed mains lead to hard wire *Excalibur Commercial Aqua<sup>™</sup>* to a power supply with an appropriate IP protection for the application. The power supply should be of an appropriate power rating, as specified on the specification label found on the catch tray.

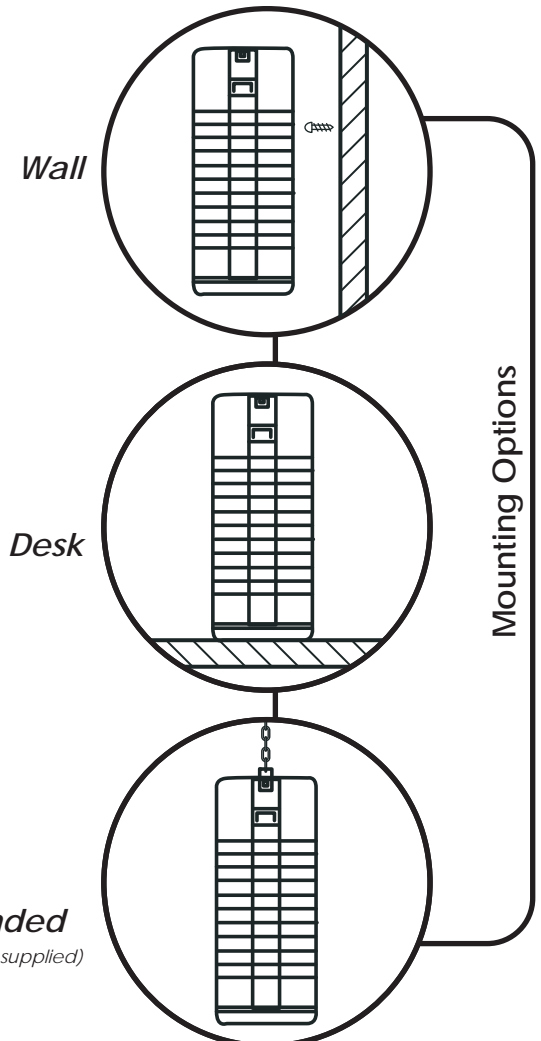
### CLEANING

CLEANING SHOULD BE CARRIED OUT BY SERVICE PERSONNEL ONLY, AFTER ENSURING THAT THE UNIT IS DISCONNECTED FROM THE MAINS SUPPLY.

It is recommended that cleaning is carried out regularly every month. During cleaning the unit should be thoroughly wiped down with a damp cloth, removing any build up of dirt. Ensure the unit is completely dry before reconnecting it to the power supply.

### MOUNTING FIXING CENTRES

METHOD	180w
Wall	600mm
Desk	-
Suspended	680mm



**Suspended**  
(Chain not supplied)

## CATCH TRAY REMOVAL

The catch tray is connected to the power supply of the unit via a hidden switch. By removing the catch tray, the connection is broken and power is cut to the unit. This ensures safe access to the unit for servicing and cleaning.

**NB - WHEN REPLACING THE CATCH TRAY BACK INTO EXCALIBUR COMMERCIAL AQUA™, ENSURE IT IS PUSHED FULLY INTO POSITION AND THAT POWER IS RESTORED TO THE UNIT.**

## TUBE REPLACEMENT

TUBE REPLACEMENT SHOULD BE CARRIED OUT BY SERVICE PERSONNEL ONLY, AFTER ENSURING THAT THE UNIT IS DISCONNECTED FROM THE MAINS SUPPLY.

To ensure the efficiency of **Excalibur Commercial Aqua™** in catching flying insects, the UV tubes should be replaced annually. After twelve months the phosphor coating that emits the correct wavelength of UV light has burnt away and the UV output is diminished substantially.

To replace the UV tubes...

1. Remove the catch tray.
2. Remove the killing grid by first pushing it up, then pulling down.
3. Unscrew the IP rated tube holder caps at each end of the tube.
4. Pull the tube away from the chassis.
5. Dispose of the used UV tube in conjunction with local WEEE regulations.

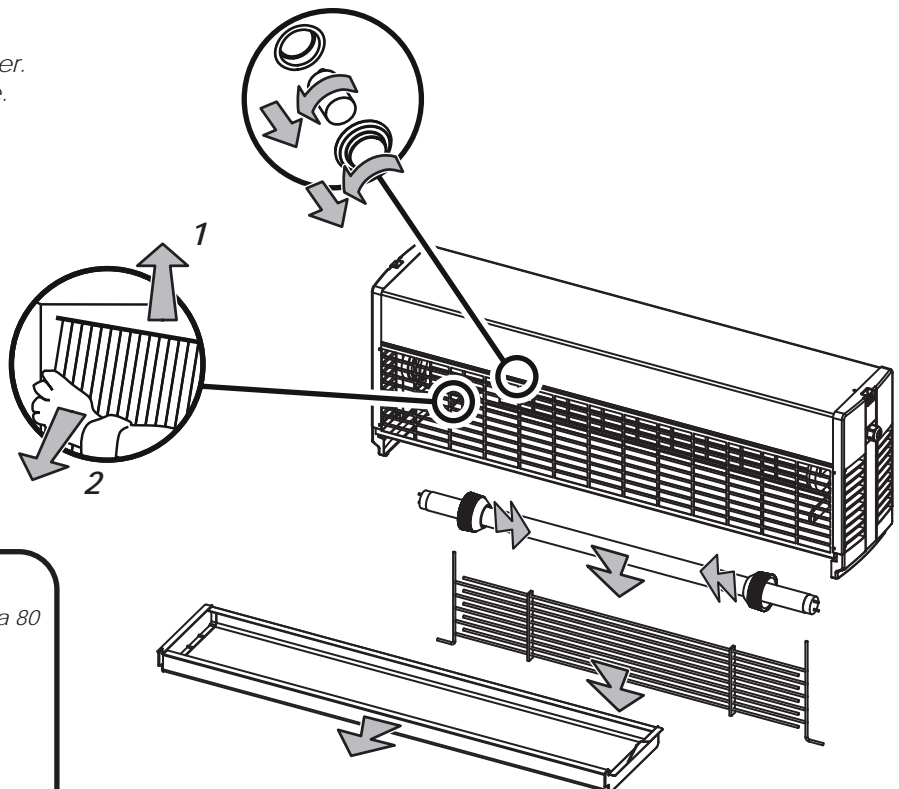
## STARTER REPLACEMENT

STARTER REPLACEMENT SHOULD BE CARRIED OUT BY SERVICE PERSONNEL ONLY, AFTER ENSURING THAT THE UNIT IS DISCONNECTED FROM THE MAINS SUPPLY.

The starters provide an extra spark to initially light the UV tubes. Starters wear out and should be replaced at the same intervals as the UV tubes.

To replace the starters...

1. Unscrew the IP rated starter cover.
2. Rotate the starter anti-clockwise.
3. Pull the starter free from the unit.



### SPECIFICATION / REPLACEMENT PARTS

Unit	Excalibur Commercial Aqua 80
Voltage	230V ~ 50Hz
Dimensions(mm)	700 x 260 x 140
Coverage	220 Sq. Meters
Weight	6.5 Kg
Light Output	80W
Tubes	2 x TPX36-24S
Starter	2 x I154

**DANGEROUS VOLTAGE**