



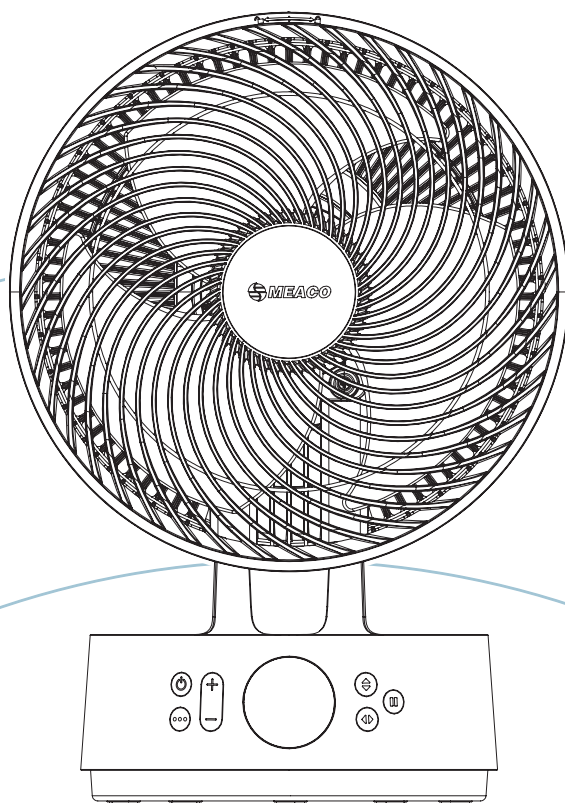
MeacoFan

# Sefte<sup>®</sup> 10”

Table Air Circulator

*Sēf-tee: “Quiet, gentle and undisturbed”; in Old English*

Instruction Manual



# Thank you for choosing Meaco

Thank you for choosing Meaco, we really appreciate it. We built the Seffe® range of air circulators after years of research and customer feedback, engineering the perfect cooling product for you and your family. This product not only provides you with enhanced cooling, but is functional in its design and fits into your home.

This manual contains important information on the use and care of your air circulator. Please take some time to read this manual to take full advantage of your air circulators' many benefits and features.

# Contents

Safety information .....	<b>1</b>
Register your Meaco warranty .....	<b>3</b>
What's included .....	<b>5</b>
Product identification .....	<b>6</b>
Operation .....	<b>7</b>
Maintenance .....	<b>10</b>
Storing .....	<b>12</b>
Troubleshooting .....	<b>12</b>
Meaco customer care .....	<b>13</b>
Specifications .....	<b>13</b>
Warranty terms & conditions .....	<b>14</b>

# Safety information

## Important safety instructions



This air circulator must not be used in rooms under the following conditions: potentially explosive atmosphere, aggressive atmospheres, featuring a high concentration of solvents or an extremely high ratio of dust.

**Magnets:** The remote control contains magnets. Please note the following: Pacemakers and defibrillators may be affected by magnets. If this affects you, please do not put the remote control in a pocket and warn anyone who is likely to use the air circulator or the remote that it has a magnet. Credit cards and data cards can also be affected by magnets and should not be placed near to the air circulator remote.

**Keep children away:** Do not allow children to play with or around this unit, as it could result in injury. Be sure the unit is inaccessible to children when not attended. This appliance is not intended for use by persons (including children) with reduced physical, sensory or mental capabilities, or lack of experience and knowledge, unless they have been given supervision or instruction concerning use of the appliance by a person responsible for their safety.

**Protect mains adaptor from damage:** Never operate a unit with a damaged mains adaptor, as this may lead to electrical or fire hazards. If the mains adaptor is damaged, it must be replaced by a mains adaptor of the same type and amperage rating.

**Extension cords:** Extension cords must be grounded and able to deliver the appropriate voltages to the unit.

**Handle with care:** Do not drop, throw or crash the air circulator. Rough treatment can damage the components or wiring and create a hazardous condition.

**Run on a stable surface:** Always operate the air circulator on a stable, level surface, for example the floor or a strong counter, so that the air circulator cannot fall and cause injury.

**Keep electrical components dry:** Never allow water inside the air circulator's electrical components. If these areas become wet for any reason, thoroughly dry them before using the air circulator. If in doubt, do not use the air circulator and consult a qualified electrician or a Meaco approved engineer.

The operator must make the operating instruction available for the user and make sure that the user understands the manual.

# Instructions about the WEEE



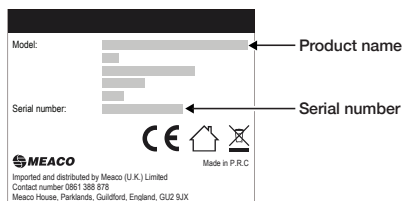
## **Correct disposal of this product (Waste Electrical & Electronic Equipment)**

This marking indicates that this product or accessories should not be disposed of with other household waste at the end of their working life. To prevent possible harm to the environment or human health from uncontrolled waste disposal, please separate these items from other types of waste and recycle them responsibly. Users should contact either the retailer where they purchased this product, or their local government, for details of where and how they can take these items for environmentally safe recycling.

# Register your Meaco warranty

Your Meaco air circulator comes with a free three year warranty. Simply register your details online and you'll be covered for parts and labour for three years from the date of purchase, subject to the terms and condition of the warranty.

## Where to find your air circulators serial number



The serial number can be found on the rating label underneath the base of your air circulator.

Remember to keep a copy of your purchase receipt safe, you will need to show this to our Customer Service team should you need to make a warranty claim.

## Ways to register your Meaco warranty



### Register online

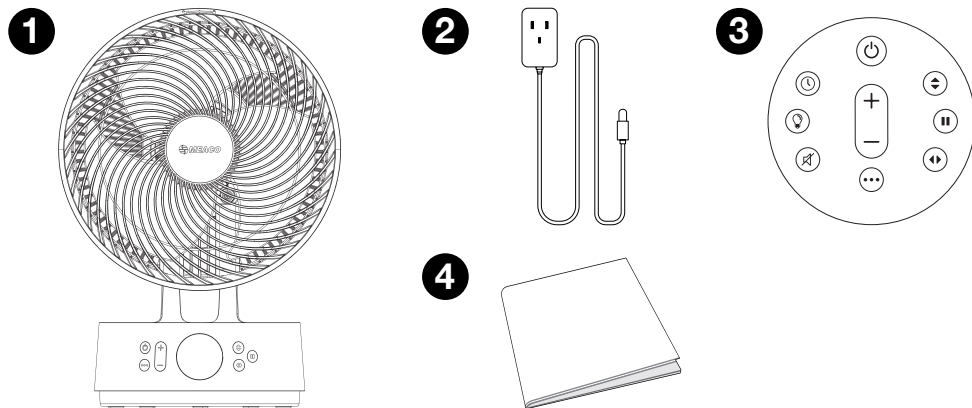
Visit our website to register your free three year warranty online:  
<https://www.meaco.com/pages/register-your-warranty>

### Register by phone

Call our Customer Service team to register your free three year warranty over the phone: 01483 234900  
Opening times: Monday - Friday 9am - 5:30pm

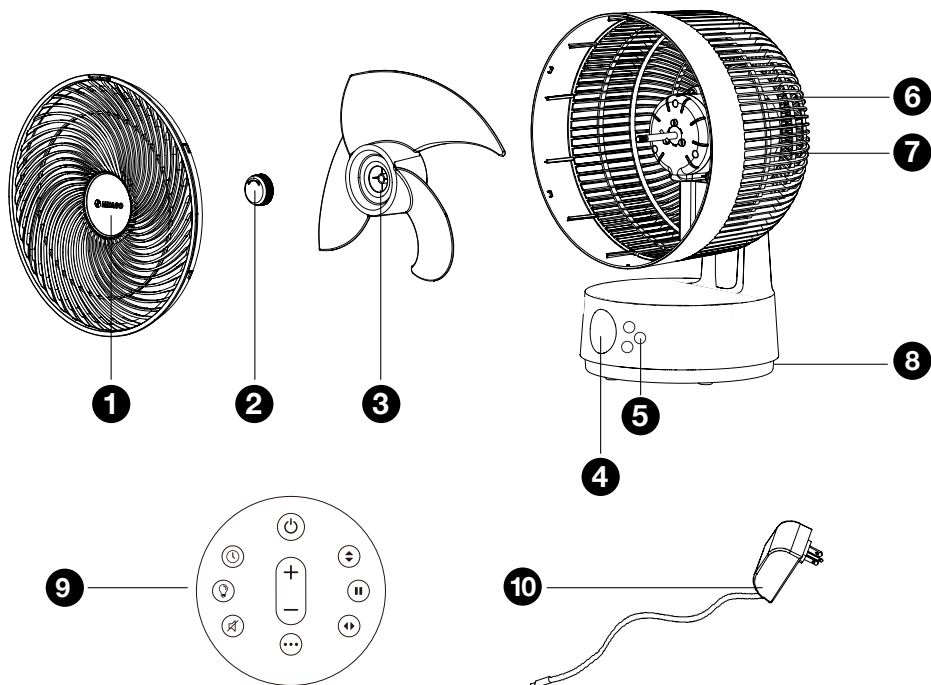
# What's included

Carefully unpack the air circulator. Keep all packaging materials away from children. We recommend flat packing and keeping hold of the box should you need it in the future.



1. Meaco Sefta® 10" Table Air Circulator
2. Mains adaptor
3. Remote control
4. Instruction manual

# Product identification



1. Front grill
2. Locking cap
3. Blades
4. Display
5. Interface
6. Handle

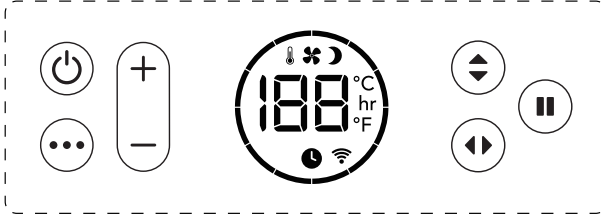
7. Back grill
8. Mains adaptor input
9. Remote control
10. Mains adaptor



# Operation

When the air circulator is plugged into the mains, the air circulator will beep once, the air circulator is in Standby mode.

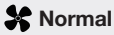
## Interface



**Power button:** Press the power button once to turn the air circulator on and press the power button again to turn the air circulator off. To turn the air circulator power off, unplug it from the mains.



**Mode:** Press the mode button to move through 3 modes: Normal, Night and ECO.



**Normal**

The air circulator will run as normal on the selected fan speed between 1 and 12.



**Night**

The interface will turn off and the buttons will no longer beep when pressed. The fan speed will reduce by 1 step every half an hour until it reaches fan speed 1. When changing a setting (e.g. the fan speed) the display will turn on briefly until set and then turn off again.



**ECO**

The fan speed will automatically change depending on the room temperature.

Room temperature	< 19°C	20°C	21°C	22°C	23°C	24°C	25°C	26°C	27°C	28°C	29°C	> 30°C
Fan speed	1	2	3	4	5	6	7	8	9	10	11	12



**Increase fan speed:** Press the + fan speed button to increase the fan speed between 1 and 12. When 12 is reached, pressing this button again will take you back to 1.



**Decrease fan speed:** Press the - fan speed button to decrease the fan speed between 1 and 12. When 1 is reached, pressing this button again will take you back to 12.



**Vertical oscillation:** There are 3 angles of vertical oscillation. Press the vertical oscillation button to move through narrow (1), medium (2) and wide (3) oscillation. Once selected, the display will revert back to displaying the room temperature. To turn off vertical oscillation, press the vertical oscillation button until 0 appears on the display. The moment 0 is reached, the fan will remain in that angled position.



**Pause:** Press the button to pause oscillation at any point during oscillation modes 1, 2 or 3, and press again to resume oscillation at any time.

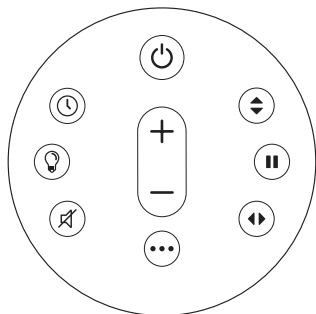


**Horizontal oscillation:** There are 3 angles of horizontal oscillation. Press the horizontal oscillation button to move through narrow (1), medium (2) and wide (3) oscillation. Once selected, the display will revert back to displaying the room temperature. To turn off horizontal oscillation, press the horizontal oscillation button until 0 appears on the display.

Oscillation type	Display	Degree of vertical oscillation	Degree of horizontal oscillation
<b>Narrow</b>	1	20°	30°
<b>Medium</b>	2	30°	75°
<b>Wide</b>	3	65°	120°

After a setting is adjusted, the interface will revert back to displaying the room temperature and the set mode (unless in Night mode where the interface will turn off).

## Remote control



- Before using the remote control, remove the plastic tab.
- The remote control is magnetic and can be attached to the centre of the air circulator face.
- The remote control has a range of approximately 4 metres.

The following functions are only available via the remote control. For instructions on how to use Power button, Mode, Fan speed, Oscillation or Pause buttons, see pages 6 and 7.



**Timer:** Use the timer button to set an ON or OFF timer. To remove either the ON or OFF timer, press the timer button until you reach '00 hrs'.

**Timer on** When the air circulator is in standby mode, use the timer button to move between 1 and 12 hours in which the air circulator will turn on. When you reach the desired number of hours on the display, pause, and then the air circulator will beep twice to lock in your selection. The interface will display the number of hours in which the air circulator will turn on e.g. '03 hr'.

**Timer off** When the air circulator is on, use the timer button to move between 1 and 12 hours in which the air circulator will turn off. When you reach the desired number of hours on the display, pause, and then the air circulator will beep twice (unless in Night Mode) to lock in your selection.



**Light:** Press the light button to turn off the display. Press again to turn back on.



**Mute:** Press the mute button to silence the buttons on the air circulator. The air circulator will beep when the mute button is pressed and then will no longer beep when any other buttons are pressed. Press the mute button again to unmute. Hold the mute button down for more than 5 seconds to change the temperature on the display between °C and °F.

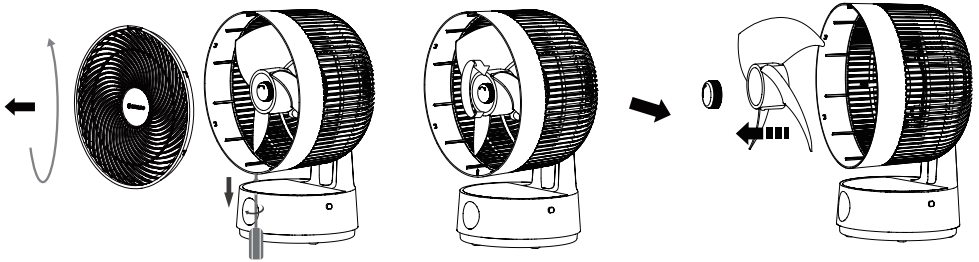
# Maintenance

## Cleaning your air circulator

- Always unplug your air circulator from the mains before cleaning.
- Do not allow the air circulator to get wet.

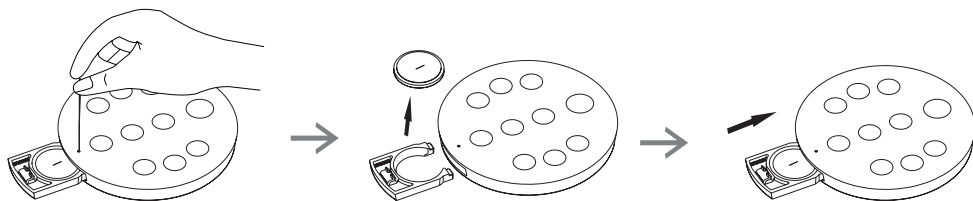
---

Use a soft dry cloth to clean the external and internal parts of the air circulator. To access the fan blades, follow the steps below:



1. Using a screwdriver, unscrew the screw at the bottom of the air circulator head and ensure the circulator is switched off.
2. Hold the grill on the left and right side of the air circulator and rotate anti-clockwise to remove the grill from the head.
3. Unscrew the locking cap in the centre of the air circulator in a clockwise motion to remove the fan blades.
4. Reverse the steps above to put the air circulator back together. Make sure the locking cap is tightened securely.

## Replacing the remote control battery



If the remote control fails to work within 4 metres of the air circulator, replace the battery. Battery type: CR2025 or CR2032. To replace the battery follow the steps below:

1. Push the safety release (below the Mode button) with the end of a paper clip to release the battery compartment.
2. Replace the battery making sure the polarity is correct.
3. Push the battery and battery compartment back into the remote control.

Keep batteries away from children!

# Storing

Store the air circulator in a clean, dry place in its original box. Alternatively, a custom storage bag can be purchased from [meaco.com](http://meaco.com).

Tip! The air circulator can also be used in winter to help distribute warm air more effectively within a room. It can also be used in conjunction with a dehumidifier to circulate dry air and dry your laundry faster.

---

# Troubleshooting

If you come across a problem with your air circulator, check the table below and try the suggestions. If the problem persists, contact Meaco.

Error	Action
Fan blades not moving	Check the adaptor is connected correctly
Increased noise level	Clean the fan blades Make sure the locking cap is tightened securely
E1	Contact Meaco
E2	Contact Meaco

# Meaco customer care

If you have a question about your Meaco air circulator, contact our Customer Service team who will be happy to help. Make sure you have your serial number and details of where and when you purchased your air circulator.

## Meaco contact details

**Website:** [www.meaco.com/pages/contact-us](http://www.meaco.com/pages/contact-us)

**Email:** [customerservice@meaco.com](mailto:customerservice@meaco.com)

**Phone:** 01483 234900

**Address:** Meaco House, Parklands, Railton Road,  
Guildford, Surrey GU2 9JX, United Kingdom

---

## Specifications

For the full list of specifications visit [meaco.com](http://meaco.com).

Maximum air flow	19.18 m <sup>3</sup> / min
Maximum air velocity ©	7.07 m / sec
Voltage	12 volts
Power consumption	8 - 26 watts
Standby power consumption	0.3 watts
Noise level	From 25 dB
Service value	0.7 (m <sup>3</sup> / min) / watt
Fan power input	26 watts maximum
Maximum fan flow rate	19.18 m <sup>3</sup> / min
Dimensions (HWD)	432 x 305 x 227 mm
Nett weight	3 kg

\*Measurement Standard for Service Value (all items\*): EN 50564:2011

# Warranty terms and conditions

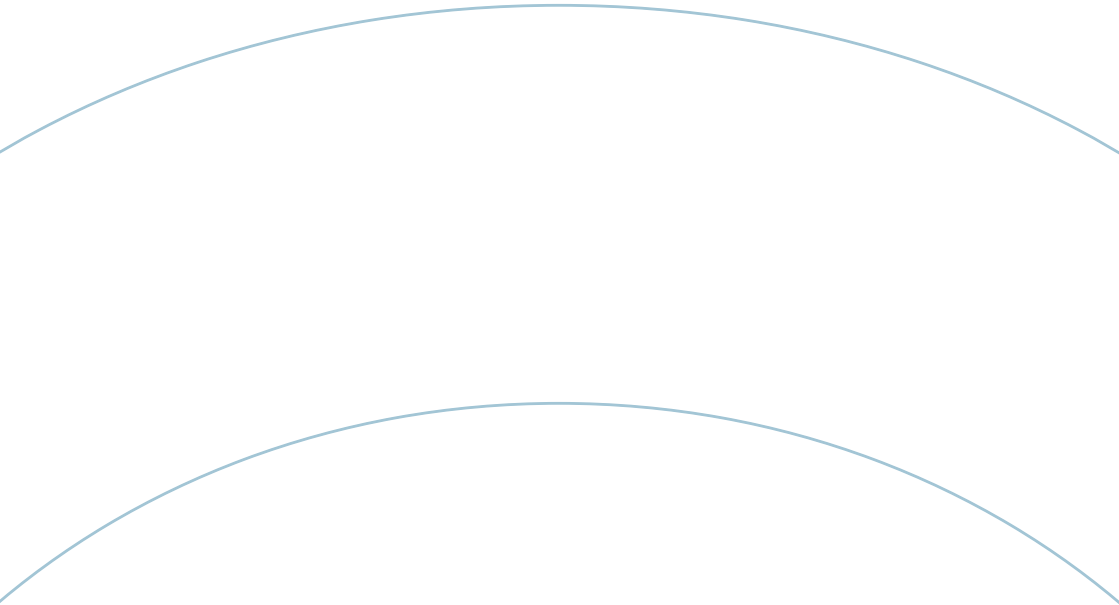
There is a three-year manufacturer's warranty on your air circulator from the date of delivery. Within the three-year warranty all manufacturing defects will be repaired free of charge.

The following applies:

1. Any repair or replacement of your air circulator or its components during the warranty period will not result in an extension of the warranty period.
2. If your air circulator has been opened or tampered with or not genuine components have been fitted by yourself or anyone other than a Meaco engineer, your warranty is invalid. This does not include removing the air circulator grill to clean the fan blades.
3. Components subject to normal wear and tear, the remote control and mains adaptor are not covered by the warranty.
4. The warranty is only valid on presentation of the original, unaltered and date-stamped purchase receipt. If you are unable to produce proof of purchase, the warranty on your air circulator is invalid.
5. The warranty does not cover damage caused by actions that deviate from those as described in the instruction manual or by neglect.
6. The warranty does not cover faults caused by dirt or by third-party products.
7. Using a third-party switching device that turns the air circulator on or off via the mains will invalidate the warranty, for example, a Smart Plug.
8. The warranty does not cover accidental damage.
9. All claims for compensation, including consequential damage, will not be entertained

For the full list of the warranty terms and conditions please visit: [www.meaco.com/warranty-terms](http://www.meaco.com/warranty-terms).





Meaco (U.K.) Limited  
Meaco House, Parklands, Railton Road, Surrey GU2 9JX

[meaco.com](http://meaco.com)



The mark of  
responsible forestry