

# COLD FRONT 500

When you need maximum cooling coverage, trust the powerful performance of Cold Front 500. Durable engineered with a portable design, quiet and efficient motor, and advanced controls for convenient, hands-free use, Cold Front 500 delivers lasting comfort to large spaces both indoors and out. Backed by the industry's best warranty, it's the ultimate solution in evaporative cooling.



## KEY FEATURES

- ▶ Quickly cool indoor and outdoor spaces by up to 33 °F (18 °C)
- ▶ Ideal for large warehouses, service bays, and stadiums
- ▶ 8-inch (20-centimeter) resin-treated cooling media
- ▶ 50-inch (127-centimeter) fan diameter
- ▶ 64-gallon (242-liter) reservoir lasts up to 10 hours without hose connection
- ▶ Onboard LED control panel with occupancy sensor

### COVERAGE AREA

**UP TO 6,500 SQUARE FEET**  
(600 SQUARE METERS)

### AIRFLOW

**UP TO 24,000 CFM**

### CONTROL

**VARIABLE SPEED**

### VOLTAGE

**110 V  
OR  
230 VAC**



**BIG ASS FANS**

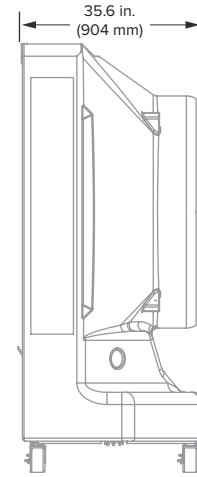
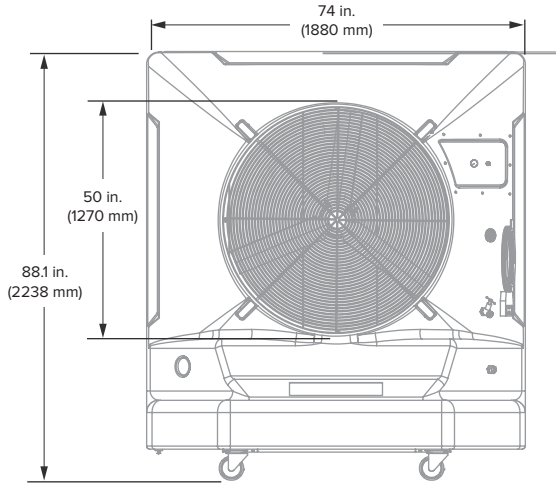
**EXCEPTIONALLY  
ENGINEERED**

## DISCOVER MORE ABOUT COLD FRONT

Learn more at [bigassfans.com/cold-front](https://bigassfans.com/cold-front)  
or call **877.BIG.FANS** for a free custom quote.

# COLD FRONT 500

DELIVER COOLER CONDITIONS AT A MOMENT'S NOTICE



## Technical Specifications

| Model          | Ordering Information     | Weight               | Water Capacity    | Inlet Water Supply Pressure | Input power and required breaker                            | Environment <sup>1</sup>                      | Amperage <sup>2</sup> | Airflow and Coverage             | Sound Level <sup>3</sup> | Operating Temperature         |
|----------------|--------------------------|----------------------|-------------------|-----------------------------|---|---|-----------------------|----------------------------------|--------------------------|-------------------------------|
| Cold Front 500 | F-EV1-5001<br>F-EV1-5002 | 370 lb<br>(167.8 kg) | 64 gal<br>(242 L) | 120 PSI maximum             | 120 VAC, 60 Hz, 1Φ, 25 A<br>220/230 VAC, 50/60 Hz, 1Φ, 15 A | Well-ventilated<br>Indoor or outdoor<br>space | 16.5 A<br>8.6 A       | 16,500–24,000 cfm<br>6,500 sq ft | 60 dBA                   | 0 to 104 °F<br>(-18 to 40 °C) |

## Construction

| Housing  | Motor  | Controls  | Power Supply   | Water Supply   | Cooling Media   | Maintenance   |
|--|--|---|--|--|---|---|
| UV-resistant roto-molded polyethylene housing<br>Four locking swivel casters | Variable speed, high-efficiency, totally enclosed<br>1.5 hp (1.1 kW) | Remote control<br>Onboard control panel<br>Occupancy sensor | 10 ft (3 m) power cord plugs into standard electrical outlet<br>Cord wrap for easy storage | Accepts standard garden hose or portable supply tank<br>Water level regulated by float valve<br>Low-water shutoff for pump longevity | Made from 8 in. (203 mm) thick cross-corrugated formulated cellulose<br>Treated with thermosetting resin for strength and prevention of algae | Accessible reservoir cap for convenient water treatment<br>Drain plug and flush valve for water removal |



## Control Options



Remote Control



Onboard Control Panel

## Onboard Control Indicators



Power Indicator



Low Water Indicator



Manual Fan Control



Occupancy Sensor



Manual Pump Control



Timer (15 Minutes)

<sup>1</sup> Not suitable for salt air environments.

<sup>2</sup> Maximum amperage includes both the fan and pump ratings.

<sup>3</sup> Fans are sound tested in a laboratory environment. Actual results in field conditions may vary due to sound reflecting surfaces and environmental conditions.

Lead times may vary.  
See full warranty for coverage information.



USA  
BIGASSFANS.COM  
877-244-3267

CANADA  
BIGASSFANS.COM  
844-924-4277

AUSTRALIA  
BIGASSFANS.COM/AU  
1300 244 277

SINGAPORE  
BIGASSFANS.COM/SG  
65 6709 8500

MALAYSIA  
BIGASSFANS.COM/SG  
603 5565 0888