

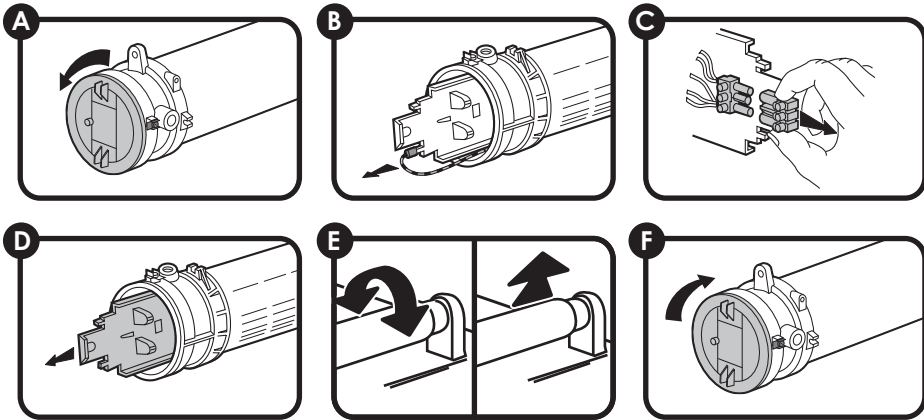
LAMP REPLACEMENT

LAMP REPLACEMENT SHOULD BE CARRIED OUT BY SERVICE PERSONNEL ONLY, AFTER ENSURING THAT THE UNIT IS DISCONNECTED FROM THE MAINS SUPPLY.

DO NOT OPEN THE UNIT WHEN IT IS CONNECTED TO THE MAINS

To ensure the efficiency of **EX Elite™** in catching flying insects, the UV lamps should be replaced annually. After twelve months the phosphor coating that emits the correct wavelength of UV light has burnt away and the UV output is diminished substantially. To replace the UV lamps:

1. Ensure the product is disconnected from the power supply.
2. Allow **EX Elite™** and the lamps within, to cool down for 30 minutes before servicing.
3. Remove the glueboards.
4. If applicable, remove any anti-tamper device used to retain the light unit in place (Eg: nut and bolt, padlock, etc).
5. Remove the light unit from the wall bracket, by lifting it up and away then place onto a stable horizontal surface.
6. Remove the end cover from the light unit by unscrewing it anticlockwise. **[See image A]**
7. Disconnect the internal power & earth connectors. **[See image B and C]**
8. Slide the lamp chassis out of the light unit. **[See image D]**
9. Rotate the lamps through 90°, freeing them from the lamp holders. **[See image E]**
10. Fit replacement lamps.
11. Slide the lamp chassis back into the light unit, and reconnect the power and earth connectors.
12. Apply graphite mineral grease to the thread of the end cover and screw it clockwise, until hand tight. **[See image F]**
13. Refit the light unit onto the wall bracket and fix any anti-tamper device (if applicable).
14. Replace the glueboards as described in the glueboard replacement section of these instructions.
15. Reconnect the power supply.
16. Dispose of the used UV lamps in conjunction with local WEEE regulations.

**SPECIFICATION / REPLACEMENT PARTS**

Unit	EX Elite
Voltage	110V ~ 60Hz / 230V - 50Hz
Dimensions (mm)	835 x 602 x 216
Coverage	120 Sq. Metres
Weight	11.3 Kg
Light Output	36W
Lamps	2 x TPX18-24S
Glueboards (x10)	6139 (Black)

WEEE Compliance No. WEE/GF0661QR

V10218

Information provided on these instructions is modified and updated from time to time. This is due to the constant redevelopment of our products. As such, it is not intended that you should rely on it or that it should form part of any contract. © 2018 Pelsis Ltd



Sterling House
Grimbald Crag Close
Knaresborough
North Yorkshire
HG5 8PJ UK

T +44 (0)800 988 5359
F +44 (0)1423 863 497
W www.pelsis.com
W insect-o-cutor.co.uk
E info@pelsis.com

INSECT-O-CUTOR™



INSECT-O-CUTOR™

Product code
EX21

Description
EX Elite 36W

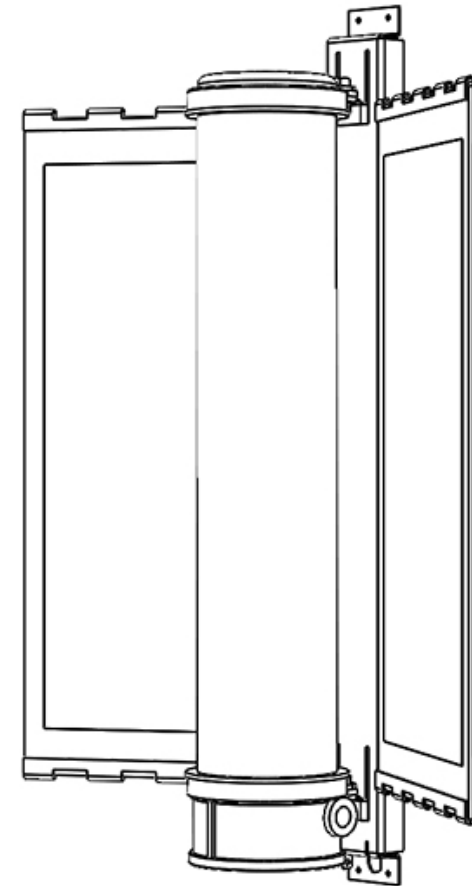
Dimensions (mm) HxWxD
835 x 603 x 216

Lamps
2 x TPX18-24S

Glueboards (x10)
6139 (Black)

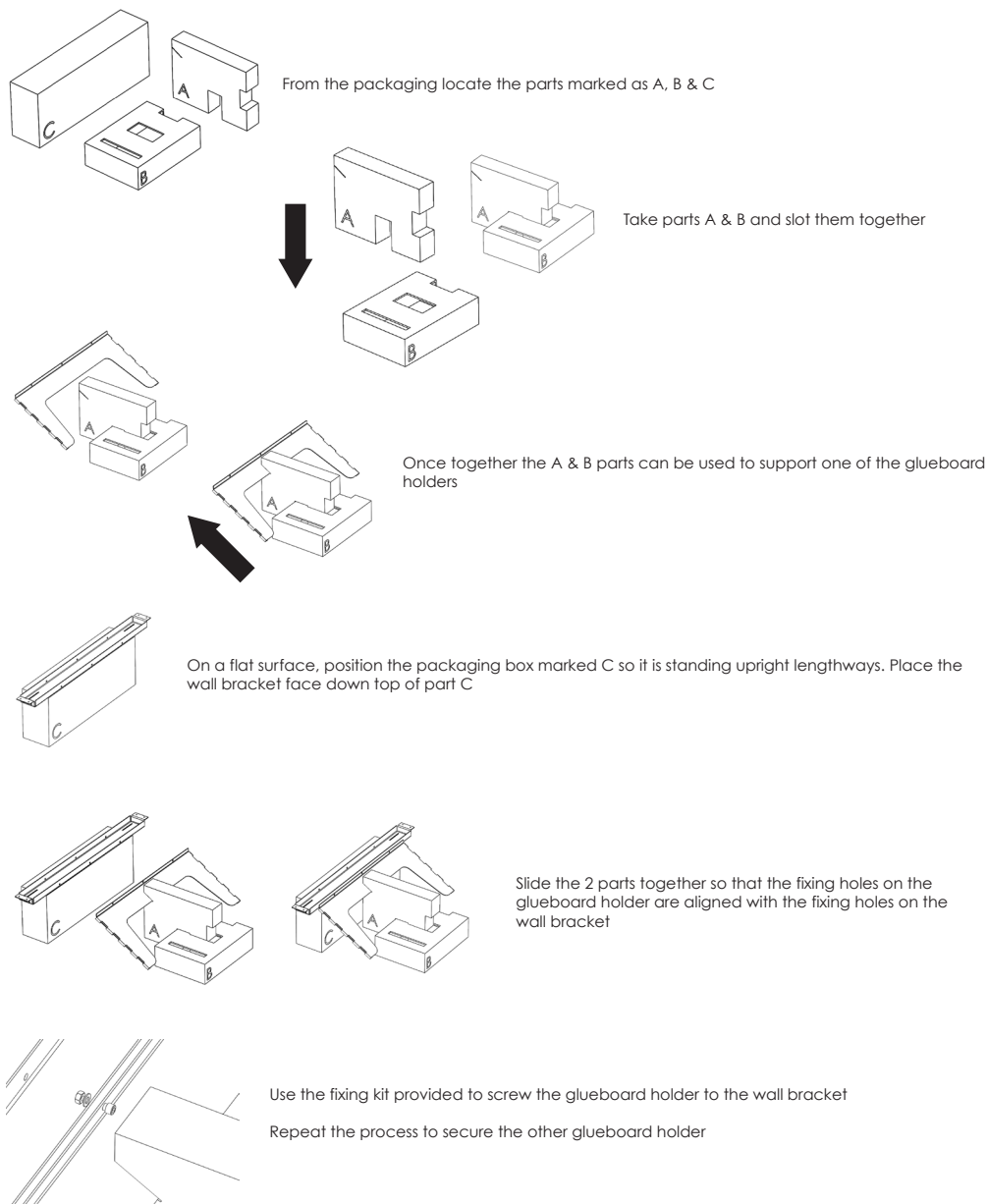


- Instruction booklet



Frame assembly instructions

The main components of the **EX Elite™** are the UV light unit, the stainless steel wall bracket (x1) and glueboard holders (x2). Before the stainless steel wall bracket and glueboard holder assembly can be secured to the wall, the parts need to be secured together using the fixing kit provided. The packaging in which the unit is supplied has been designed to assist in this assembly process.



Please read these instructions carefully and store in a safe place for future reference.

EX Elite™

As part of the Insect-O-Cutor® brand of insect control products, **EX Elite™** is a professional glueboard flykiller which utilises highly effective UV lamps and is designed for use with a high specification Glupac® glueboard.

ATEX certification

Certified to the European Directive 94/9/EC 'Equipment, intended for use in a potential explosive atmospheres', **EX Elite™** is a professional flykiller, intended for use in special ATEX rated environments, and appropriate for use in zones 1 & 2 / 21 & 22.

CONTENTS OF PACKAGE

- 1 x **EX Elite™** flykiller
- 1 x 316 grade stainless steel wall bracket
- 2 x 316 grade stainless steel glueboard holders
- 2 x Glupac® pheromone impregnated glueboard
- 2 x High powered shatterproof UV lamps (fitted)
- 4 x Screws and wall plugs
- 1 x Stainless steel assembly fixing kit

WARNING - THIS APPLIANCE MUST BE EARTHED (CLASS 1)

INSECT CONTROL PRODUCTS

EX Elite™ utilises high powered UV lamps to attract flying insects and retains the caught insects on pheromone impregnated glueboards for inspection or hygienic disposal.

WARNING

EX Elite™ is IP66 rated and is designed for use in applications appropriate to this Ingress Protection rating.

EX Elite™ is designed for vertical wall mounting only.

EX Elite™ is not to be used by children or persons with reduced physical, sensory or mental capabilities, or lack of experience and knowledge, unless they have been given supervision or instruction. Children should be supervised to ensure they do not play with the appliance.

POSITIONING AND GUIDANCE FOR USE

THIS UNIT IS FOR INDOOR USE ONLY. NOT SUITABLE FOR BARNs, STABLES AND SIMILAR LOCATIONS.

EX Elite™ should ideally be fixed around two metres above the ground, preferably in the darkest place within the area to be protected. ENSURE THERE IS A MINIMUM OF 350mm AT EITHER SIDE OF THE WIDEST PART OF **EX Elite™** AND THE ADJACENT SURFACE, TO PROVIDE ENOUGH SPACE TO INSERT THE GLUEBOARD.

(SEE MOUNTING INSTRUCTIONS)

Do not position the unit close to windows, skylights or other sources of light, or where it may be obscured by equipment, doors or other obstacles. Ideally, **EX Elite™** should be visible from every part of the area to be protected. **EX Elite™** should ideally be in operation for 24 hours a day, ensuring your premises are kept free of flying insects. Insects are most attracted to **EX Elite™** at night when there is no competition from daylight or other light sources.

Please note this unit has a type Y power cable and as such, if it is damaged it must be replaced by Pelsis Ltd, its service agent or similar qualified person.

GUARANTEE

EX Elite™ has a 2 year guarantee and if maintained as recommended in these instructions should continue to work for many years.* Use of non-approved consumables may invalidate the guarantee. Ensure genuine Glupac® glueboards are used in conjunction with this product.

INSTALLATION

INSTALLATION SHOULD BE CARRIED OUT BY SERVICE PERSONNEL ONLY.

EX Elite™ is designed for vertical wall mounting only. Use the supplied wall mounting plugs and screws, or the correct fixings for specialist mounting materials, such as plasterboard.

1. Use the fixing holes in the wall mounting bracket to mark the correct wall fixing points.
2. Fix the glueboard holders to the either side of the wall bracket using the fixings supplied – Parts of the packaging (marked A, B & C) have been designed to assist this process – See assembly instructions.
3. Fix the wall bracket and glueboard assembly to the wall, ensuring that the arrow on the specification label is pointing upwards.
4. Fit the light unit to the wall bracket by inserting the tabs into the slots of the wall bracket and lowering the light unit to lock into place. Note the tabs at the bottom of the light fitting should protrude through the lower face of the wall bracket. If required the light unit can be locked into place using the hole in the lower tab (anti-tamper options include; nut and bolt, padlock or cable tie).
5. **EX Elite™** should be hardwired into an appropriate power supply (as indicated on the specification label) by a qualified electrician. Allow sufficient cable length so that when the unit is removed for servicing, it can be placed on a suitable horizontal surface.
6. Fit the Glupac® glueboards in place as described in the glueboard replacement section of this document.

CLEANING

CLEANING SHOULD BE CARRIED OUT BY SERVICE PERSONNEL ONLY, AFTER ENSURING THAT THE UNIT IS DISCONNECTED FROM THE MAINS SUPPLY.

It is recommended that cleaning is carried out regularly when the glueboards are replaced. Once the glueboards are removed, the unit should be thoroughly wiped down with a damp cloth, removing any build-up of dirt. Ensure the unit is completely dry before reconnecting it to the power supply.

GLUEBOARD REPLACEMENT

GLUEBOARD REPLACEMENT SHOULD BE CARRIED OUT BY SERVICE PERSONNEL ONLY, AFTER ENSURING THAT THE UNIT IS DISCONNECTED FROM THE MAINS SUPPLY.

The glueboards should be replaced every month with genuine Glupac® glueboards. Use of non-approved glueboards may invalidate your guarantee.

EX Elite™ comes supplied with high efficacy black glueboards. To replace the glueboard:

1. Remove the used Glupac® glueboard by simply sliding it clear from the glueboard holders.
2. Slowly slide the new Glupac® glueboard into position.
3. Remove the protective release paper from the new Glupac® glueboard.

Always ensure the selected genuine Glupac® glueboards are compatible with your unit, available from your pest control operator or Pelsis Ltd.

*Excludes lamps and glueboards. Does not cover breakdown due to misuse, incorrect operation or use in an incorrect application.