

Professional Glueboard Insect Control

Please read these instructions carefully and store in a safe place for future reference.

INDUSTRIAL

As part of the **Insect-O-Cutor®** brand of insect control products, the **IND65** is available in a white or stainless steel finish, and is designed for use with a high specification **glupac®** glueboards.

CONTENTS OF PACKAGE

- 1 x IND65 flykiller
- 2 x Glupac® pheromone impregnated glueboards
- 2 x Suspension hooks and chains
- 1 x Catch tray
- 4 x High powered shatterproof UV tubes (Fitted)

WARNING - THIS APPLIANCE MUST BE EARTHED (CLASS 1)

INSECT CONTROL PRODUCTS

The **IND65** utilises high powered ultra violet tubes to attract flying insects and retains the caught insects on a pheromone impregnated glueboard, for inspection or hygienic disposal.

WARNING

IND65 is not to be used by persons with reduced physical, sensory or mental capabilities, or lack of experience and training, unless they have been given instruction.

Children should be supervised to ensure they do not play with the appliance.

The supply cord cannot be replaced. If the cord is damaged the appliance should be scrapped.

IND65 must only be used in areas which are free of dust and any possible explosive vapour mixture, is suitable for indoor use only and is not suitable for use in barns, stables and similar locations.

POSITIONING AND GUIDANCE FOR USE

The **IND65** should ideally be fixed around 2 - 3 meters above the ground, preferably in the darkest place within the area to be protected. Do not position the unit close to windows, skylights or other sources of light, or where it may be obscured by furniture, doors or other obstacles.

The **IND65** should ideally be in operation for 24 hours a day, ensuring your premises are kept free of flying insects. Insects are most attracted to the **IND65** units at night when there is no competition from daylight or other light sources.

GUARANTEE

The **IND65** has a five year guarantee and if maintained as recommended in these instructions should continue to work for many years.* Use of non-approved consumables may invalidate the guarantee.

INSTALLATION

INSTALLATION SHOULD BE CARRIED OUT BY SERVICE PERSONNEL ONLY.

The **IND65** should be mounted as shown in the mounting options section of this document. Keep out of reach of children. If wall mounting, **IND65** range should be hung 2 - 3m from the ground, so if the supplied chains do not allow this, chains of appropriate length and strength should be sourced.

The **IND65** should be hardwired into an appropriate power supply (as indicated on the specification label) by a qualified electrician. An appropriate means for disconnection should be incorporated into the fixed wiring in accordance with wiring rules.

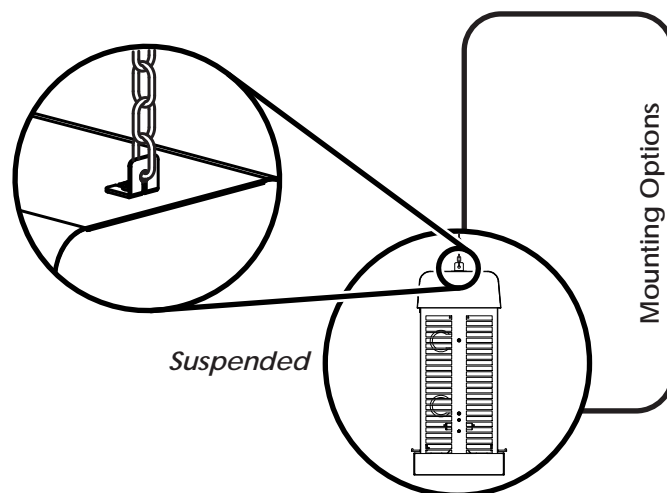
CLEANING

CLEANING SHOULD BE CARRIED OUT BY SERVICE PERSONNEL ONLY, AFTER ENSURING THAT THE UNIT IS DISCONNECTED FROM THE MAINS SUPPLY.

It is recommended that cleaning is carried out regularly every month. During cleaning the unit should be thoroughly wiped down with a damp cloth, removing any build up of dirt. Ensure the unit is completely dry before reconnecting it to the power supply.

MOUNTING FIXING CENTRES

METHOD	IND65 (White)	IND66 (S/S)
Wall	n/a	n/a
Desk	n/a	n/a
Suspended	650mm	650mm



*Excludes tubes, glueboards and starters. Does not cover breakdown due to misuse, incorrect operation or use in an incorrect application.

INSECT-O-CUTOR®

GLUEBOARD REPLACEMENT

GLUEBOARD REPLACEMENT SHOULD BE CARRIED OUT BY SERVICE PERSONNEL ONLY, AFTER ENSURING THAT THE UNIT IS DISCONNECTED FROM THE MAINS SUPPLY.

The glueboard should be replaced every month with a genuine glupac® glueboard. Use of non-approved glueboards may invalidate your guarantee.

To replace the glueboard...

1. Remove the tray from the **IND65**.
2. Remove the protective release paper from the new glupac® glueboard.
3. Slowly slide the new glupac® glueboard up into position, along the vertical glueboard runners.
4. When the glueboard has been inserted all the way, ensure it drops into the metal locators, holding it in position.

Always ensure the selected genuine glupac® glueboards are compatible with your unit, available from your pest control operator or P+L Systems Ltd.

TUBE REPLACEMENT

TUBE REPLACEMENT SHOULD BE CARRIED OUT BY SERVICE PERSONNEL ONLY, AFTER ENSURING THAT THE UNIT IS DISCONNECTED FROM THE MAINS SUPPLY.

To ensure the efficiency of the **IND65** in catching flying insects, the UV tubes should be replaced annually. After twelve months the phosphor coating that emits the correct wavelength of UV light has burnt away and the UV output is diminished substantially.

To replace the UV tubes...

1. Swing the front guard forward.
2. Loosen the lampholder caps by rotating them anticlockwise.
3. Repeat the process on the opposite lampholder, then slide them both towards the centre of the tube.
4. Pull the tube free from the tube holders, and clear of the chassis.
5. Dispose of the used UV tube in conjunction with local WEEE regulations.

Ensure the lampholder caps are tightened securely, after inserting the replacement tubes.

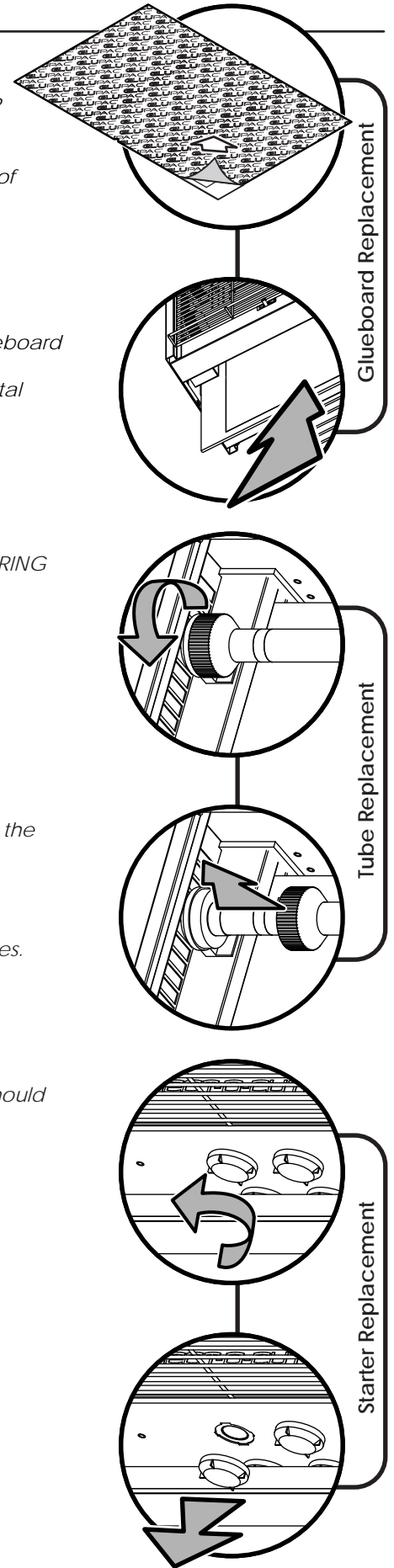
STARTER REPLACEMENT

STARTER REPLACEMENT SHOULD BE CARRIED OUT BY SERVICE PERSONNEL ONLY, AFTER ENSURING THAT THE UNIT IS DISCONNECTED FROM THE MAINS SUPPLY.

The starters provide an extra spark to initially light the UV tubes. Starters wear out and should be replaced at the same intervals as the UV tubes.

To replace the starters...

1. Release the starterholder cap by unscrewing it anticlockwise.
2. Rotate the starter anti-clockwise.
3. Pull the starter free from the unit.



SPECIFICATION / REPLACEMENT PARTS

Unit	IND65 White (IND65)	Unit	IND65 S/S (IND66)
Voltage	230V ~ 50Hz	Voltage	230V ~ 50Hz
Dimensions(mm)	400 x 690 x 205	Dimensions(mm)	400 x 690 x 205
Coverage	240 Sq. Meters	Coverage	240 Sq. Meters
Weight	12.0 Kg	Weight	12.0 Kg
Light Output	72W	Light Output	72W
Tubes	4 x TGX18-24S	Tubes	4 x TGX18-24S
Starter	4 x I154	Starter	4 x I154